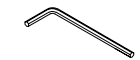
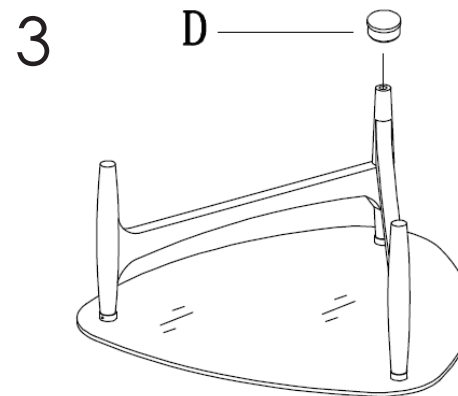
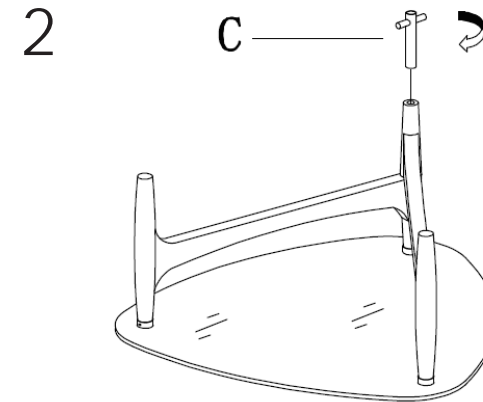
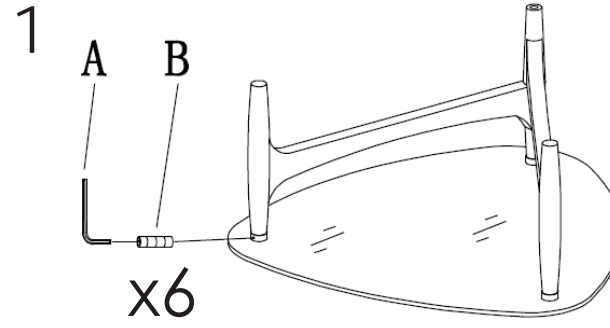


Assembly Instructions

LEDELL-35 Coffee Table

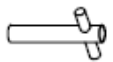
PLEASE NOTE: Check that you have received all components and hardware before assembling. If you are missing any parts, contact your retailer.



A (1 pc)
2mm



B (6 pcs)
M5 x 10mm



C (1 pc)
M8



D (1 pc)

During assembly, hand tighten screws only. When the screws are in place, tighten completely.